

## GENERAL FEATURES



- Supply: dry or lubricated filtered compressed air; pressure max. 8 BAR – 120 PSI (15 BAR – 225 PSI for Microcasting Stainless Steel pistons).
- The lubrication carried out by the manufacturer is guaranteed for min. 1,000,000 operations.
- Inside surface finish (Ra 0,4 – 0,6 um) to minimize friction and maximize the actuator's life.
- Piston bearing made by low friction coefficient material (LAT LUB) to avoid "metal to metal" contact, easily replaceable for maintenance.
- Double lower drilling, for fastening of the valve, and centering, according to ISO 5211 and DIN 3337 standards.
- Lower female shaft key, according to ISO 5211 and DIN 3337 standards, for assembly on valves with square key on line and 45° shaft.
- Solenoid connections according to NAMUR standards.
- Top drilling for fastening of the accessories, and upper shaft end according to NAMUR standards.
- Position indicator (fastening of upper switch-box is possible).
- Standard execution for temperatures from -20°C to +80°C (special execution for extremes temperatures on request).
- Adhesive labels on which the progressive number is automatically punched.
- Running test and 100% seal test carried out with electronic equipment and certification of each individual product.

### Used Materials

BODY: Forged Stainless Steel type A182 - F316 – EN 10088/3 – 1.4401.

COVERS: Micro-casted Stainless Steel type A182 - F316 – EN 10088/3 – 1.4401.

PISTONS: Die-casted aluminium alloy ASTM B179, anodized (special pistons in Micro-casted Stainless Steel A182 - F316 – EN 10088/3 – 1.4401 on request).

SHAFT: Forged Stainless Steel type AISI 316 (A4).

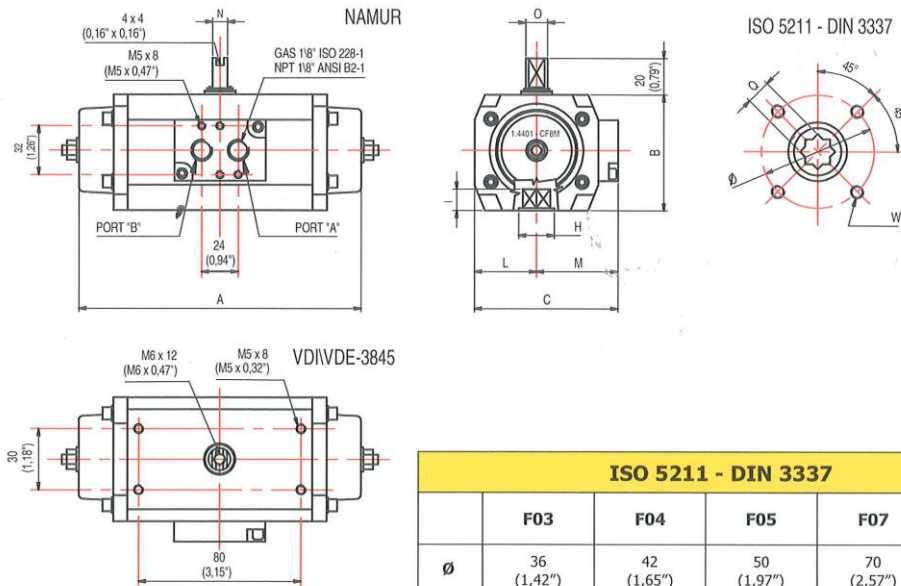
PISTON BEARINGS: acetalic resin (LAT LUB 731320T) + 20% PTFE (PA66 ZYTEL on request).

SCREWS: Stainless Steel type AISI 316 (A4).

SPRINGS: Precompressed cartridge, painted with polyester powder.

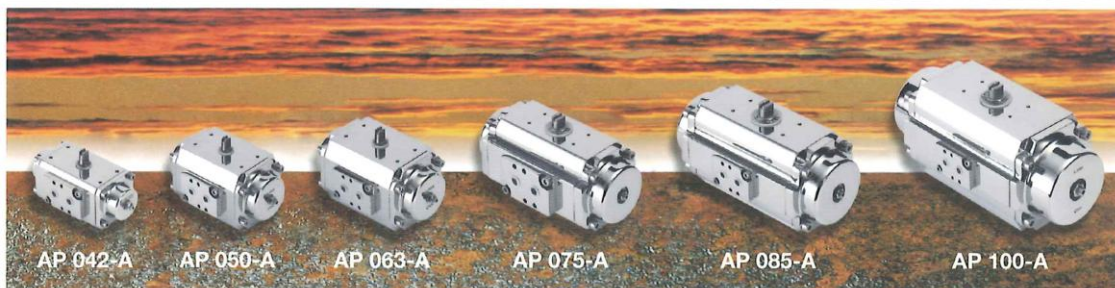
SEALS: Nitrile rubber NBR (VITON o SILICONE on request).

GREASE: Molybdenum Bisulphide (MOLYKOTE on request).



ISO 5211 - DIN 3337					
	F03	F04	F05	F07	F10
Ø	36 (1,42")	42 (1,65")	50 (1,97")	70 (2,57")	102 (4,01")
W	M 5x8 (M 5x0,32")	M 5x8 (M 5x0,32")	M 6x9 (M 6x0,35")	M 8x12 (M 8x0,47")	M 10x15 (M 10x0,59")

Dimensioni - Dimensions - Maße - Dimensions									
	ISO 5211 DIN 3337	Q x I	A	B	C	L	M	N	O
AP 042-A	F03\05 F04	11 x 13 (0,43" x 0,51")	140 (5,50")	57 (2,24")	71 (2,79")	30,5 (1,20")	40,5 (1,59")	8 (0,31")	12 (0,47")
			"Y" (120°) A=194 (7,94") F03\05 H=25 (0,98")		"X" (180°) A=230 (9,05") F04 H=30 (1,18")				
AP 050-A	F03\05 F04	11 x 13 (0,43" x 0,51")	138 (5,43")	67 (2,63")	93 (3,65")	41,5 (1,63")	51,5 (2,02")	8 (0,31")	12 (0,47")
			"Y" (120°) A=172 (6,77") F03\05 H=25 (0,98")		"X" (180°) A=211 (8,31") F04 H=30 (1,18")				
AP 063-A	F03\05 F05\07	14 x 16 (0,55" x 0,63")	152 (5,97")	83 (3,26")	93 (3,65")	41,5 (1,63")	51,5 (2,02")	8 (0,31")	12 (0,47")
			"Y" (120°) A=201 (7,91") F03\05 H=25 (0,98")		"X" (180°) A=220 (8,66") F05\07 H=30 (1,18")				
AP 075-A	F05\07	17 x 20 (0,67" x 0,79")	210 (8,27")	100 (3,93")	108 (4,24")	49 (1,93")	59 (2,32")	14 (0,55")	18 (0,71")
			"Y" (120°) A=249 (9,80") F05\07 H=40 (1,57")		"X" (180°) A=298 (11,73") F05\07 H=40 (1,57")				
AP 085-A	F05\07	17 x 20 (0,67" x 0,79")	230 (9,04")	110 (4,32")	118 (4,64")	54 (2,12")	64 (2,52")	14 (0,55")	18 (0,71")
			"Y" (120°) A=282 (11,01") F05\07 H=40 (1,57")		"X" (180°) A=338 (13,31") F05\07 H=40 (1,57")				
AP 100-A	F07\10	22 x 25 (0,87" x 0,98")	257 (10,81")	125 (4,91")	135 (5,30")	62,5 (2,46")	72,5 (2,85")	14 (0,55")	18 (0,71")
			"Y" (120°) A=332 (13,07") F07\10 H=55 (2,15")		"X" (180°) A=401 (15,79") F07\10 H=55 (2,15")				





Torsioni attuatori a Doppio Effetto in Nm Torsion des Antriebs mit Doppeleffekt in Nm								Actuators Double Acting torque in Nm Torsion d'actionneur à Double Effet en Nm									
TIPO TYPE TYP TYPE	Alimentazione aria in BAR Luftspeisung in BAR								Air supply in BAR Alimentation d'air en BAR								PESO WEIGHT GEWICHT POIDS
	Pistoni in alluminio Aluminium Kolbens				Aluminium pistons Pistons en aluminium				Pistoni in Acciaio Inox Rostfrei Stahl Kolbens				Stainless Steel pistons Pistons en Acier Inoxydable				
	3	4	5	6	7	8	9	10	11	12	13	14	15				
042-A DA	6,5	8,7	10,9	13,0	15,2	17,3	19,5	21,7	23,9	26,0	28,2	30,4	32,6	Kg. 1,950			
050-A DA	9,2	12,3	15,4	18,5	21,5	24,6	27,7	30,8	33,8	36,9	40,0	43,1	46,2	Kg. 2,770			
063-A DA	16,5	22,0	27,5	33,0	38,5	44,0	49,5	55,0	60,5	66,0	71,5	77,0	82,5	Kg. 3,520			
075-A DA	35,1	46,8	58,5	70,2	81,9	93,6	105,3	117,0	128,7	140,4	152,1	163,8	175,5	Kg. 6,800			
085-A DA	53,4	71,2	89,0	106,9	124,7	142,4	160,3	178,1	195,9	213,7	231,5	249,3	267,1	Kg. 9,240			
100-A DA	83,2	110,9	138,6	166,4	194,1	221,8	249,5	277,3	305,0	332,8	360,5	388,2	416,0	Kg. 12,760			

Torsioni attuatori a Semplice Effetto in Nm Torsion des Antriebs mit Einfacheffekt in Nm								Actuators Single Acting torque in Nm Torsion d'actionneur à Simple Effet en Nm									
TIPO TYPE TYP TYPE	Alimentazione aria in BAR Luftspeisung in BAR								Air supply in BAR Alimentation d'air en BAR								PESO WEIGHT GEWICHT POIDS
	3		4		5		6		7		8		SPRING STROKE				
	0°	90°	0°	90°	0°	90°	0°	90°	0°	90°	0°	90°	90°	0°			
042-A SR 3\3 042-A SR 4\4	-	-	-	-	7,1	4,1	9,3	6,3	11,5	8,5	13,7	10,7	6,8	3,8	Kg. 2,010 Kg. 2,030		
050-A SR 3\3 050-A SR 4\4 050-A SR 5\5 050-A SR 6\6	5,7	3,5	8,9	6,6	12,0	9,6	15,1	12,7	18,1	15,7	21,2	18,8	5,7	3,5	Kg. 2,835 Kg. 2,860 Kg. 2,880 Kg. 2,900		
063-A SR 3\3 063-A SR 4\4 063-A SR 5\5 063-A SR 6\6	9,4	6,3	14,9	11,7	20,4	17,2	25,9	22,7	31,4	28,2	36,9	33,7	10,2	7,2	Kg. 3,620 Kg. 3,655 Kg. 3,690 Kg. 3,720		
075-A SR 3\3 075-A SR 4\4 075-A SR 5\5 075-A SR 6\6	22,5	12,6	34,2	24,4	46,0	36,1	57,7	47,8	69,4	59,5	81,1	71,2	22,5	12,6	Kg. 7,040 Kg. 7,110 Kg. 7,190 Kg. 7,270		
085-A SR 3\3 085-A SR 4\4 085-A SR 5\5 085-A SR 6\6	34,5	18,9	52,4	36,7	70,2	54,5	88,0	72,3	105,8	90,1	123,6	107,9	34,5	18,9	Kg. 9,550 Kg. 9,660 Kg. 9,770 Kg. 9,880		
100-A SR 3\3 100-A SR 4\4 100-A SR 5\5 100-A SR 6\6	53,2	30,0	80,9	57,7	108,7	85,4	136,4	113,1	164,1	140,8	191,8	168,5	53,2	30,0	Kg. 13,270 Kg. 13,440 Kg. 13,610 Kg. 13,780		

ATTENZIONE ! Tipo "Y" (120°) e "X" (180°): solo funzionamento a Doppio Effetto, con pistoni in alluminio.  
 ATTENTION PLEASE ! "Y" (120°) and "X" (180°) types: only Double Acting available, with aluminium pistons.  
 ACHTUNG ! Typ "Y" (120°) und "X" (180°): nur Antrieben mit Doppeleffekt, mit aluminum Kolben verfügbar.  
 ATTENTION ! Type "Y" (120°) et "X" (180°): seulement en version Double Effet, avec pistons en aluminium.